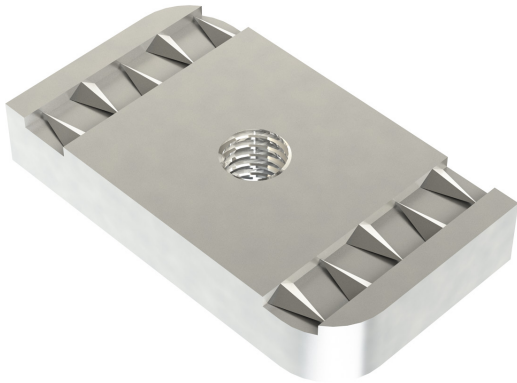


**PRODUCT CODE: CS22-GA**  
CHANNEL SPRING NUT



**DESCRIPTION**

M10 Plain Spring Nut

**FINISH**

Hot Dipped Galvanised

**MATERIAL**

Steel

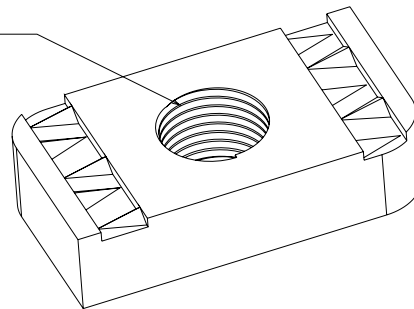
**PACKAGING**

Packed in qty 100

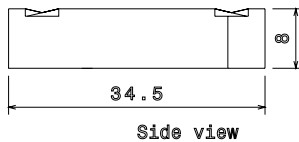
**ADDITIONAL NOTES**

Produced to comply with the requirements of BS6946 Metal Channel Support Systems  
For use with 21mm and 41mm depth channel  
Compliant to LU Standard 1-085 (for use on surface & sub-surface locations)

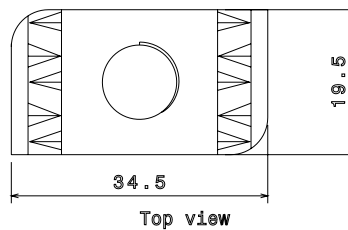
M10 Thread



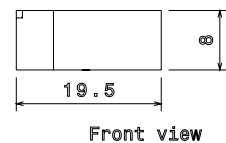
Isometric view



Side view



Top view



Front view